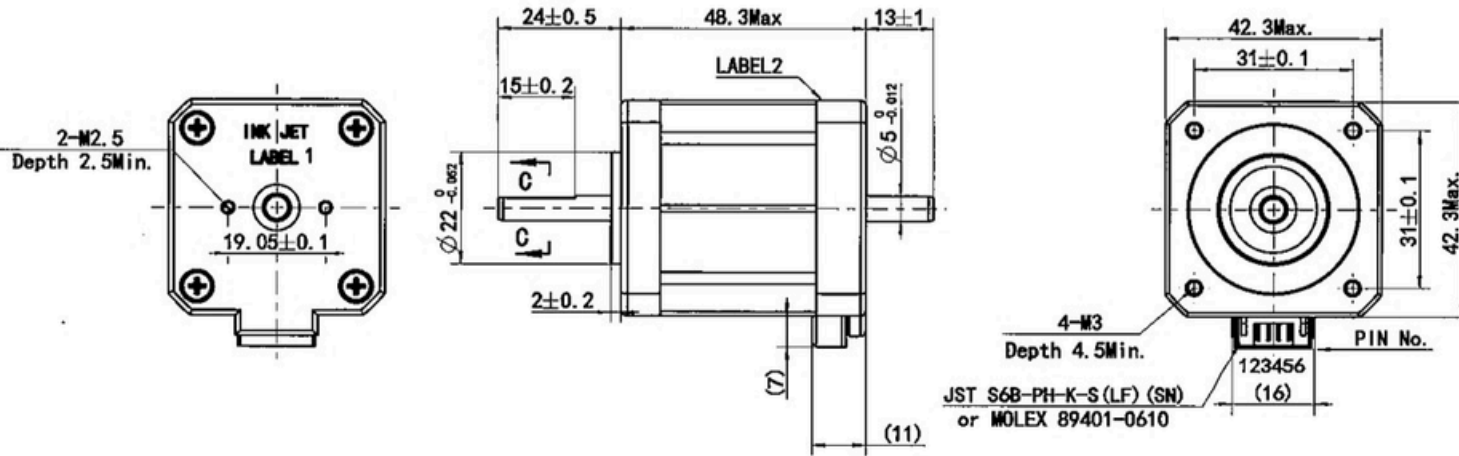
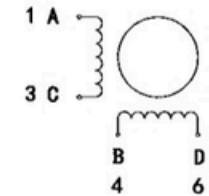


MS17HA6P4150-M



Wiring Diagram



Exciting Sequence vs. Direction of Rotation

| STEP | A | B | C | D | CCW |
|------|---|---|---|---|-----|
| 1 | + | + | - | - | ↑ |
| 2 | - | + | + | - | |
| 3 | - | - | + | + | |
| 4 | - | - | - | + | |

↓ CW

Clockwise view from mounting side

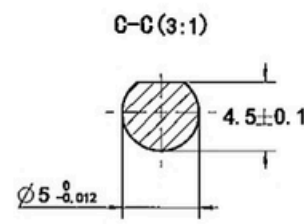
2 Label 2 Detail

STEPPING MOTOR
Insulation: Class B, 60VDC Max.
1.5Amps Holding: 540 mNm
3000RPM Max. **PIVEXIN**
UL FILE No. E465363 XXX Factory ID

1 Label 1 Detail

TYPE MS17HA6P4150-M
XXXXXXXX YY/MM/DD
Work Order Date Format

| Specification | |
|----------------------|---|
| 1. Number of Phase | 2 |
| 2. Step Angle | 0.9° |
| 3. Rated Voltage | 3.225 V DC |
| 4. Rated Current | 1.5 Amp |
| 5. Holding Torque | 540 mNm Typ. (Two phase on/rated current) |
| 6. Phase Resistance | 2.15 ohm ±10% (20°C) |
| 7. Phase Inductance | 6.8 mH ±20% (1kHz 1V rms) |
| 8. Rotor Inertia | 82 gcm ² |
| 9. Motor Weight | 0.35 kg |
| 10. Insulation Class | B (130°C) |



| | | | | | | | | | |
|--|-----------------|------|----------------|-----------|------|--------------------------------------|---------|------------|--------------|
| Unit:mm | | | Approve | | | <h1>PIVEXIN</h1> <h2>TECHNOLOGY</h2> | | | |
| First angle method | | | Standardize | | | | | | |
| Tolerances for linear and angular dimensions without individual tolerance indications GB/T 1804-m eqv ISO 2768-1:m | | | Process Review | | | | | | |
| Geometrical tolerance for features without individual tolerance indications GB/T 1184-K eqv ISO 2768-2:K | | | Check | | | | | | |
| UNLESS OTHERWISE SPECIFIED | | | Design | | | | | | |
| REV. | REVISION RECORD | DATE | NAMES | SIGNATURE | DATE | Drawing No: 4611110027534 | Rev. B1 | SCALE: 1:1 | Sheet 1 of 1 |